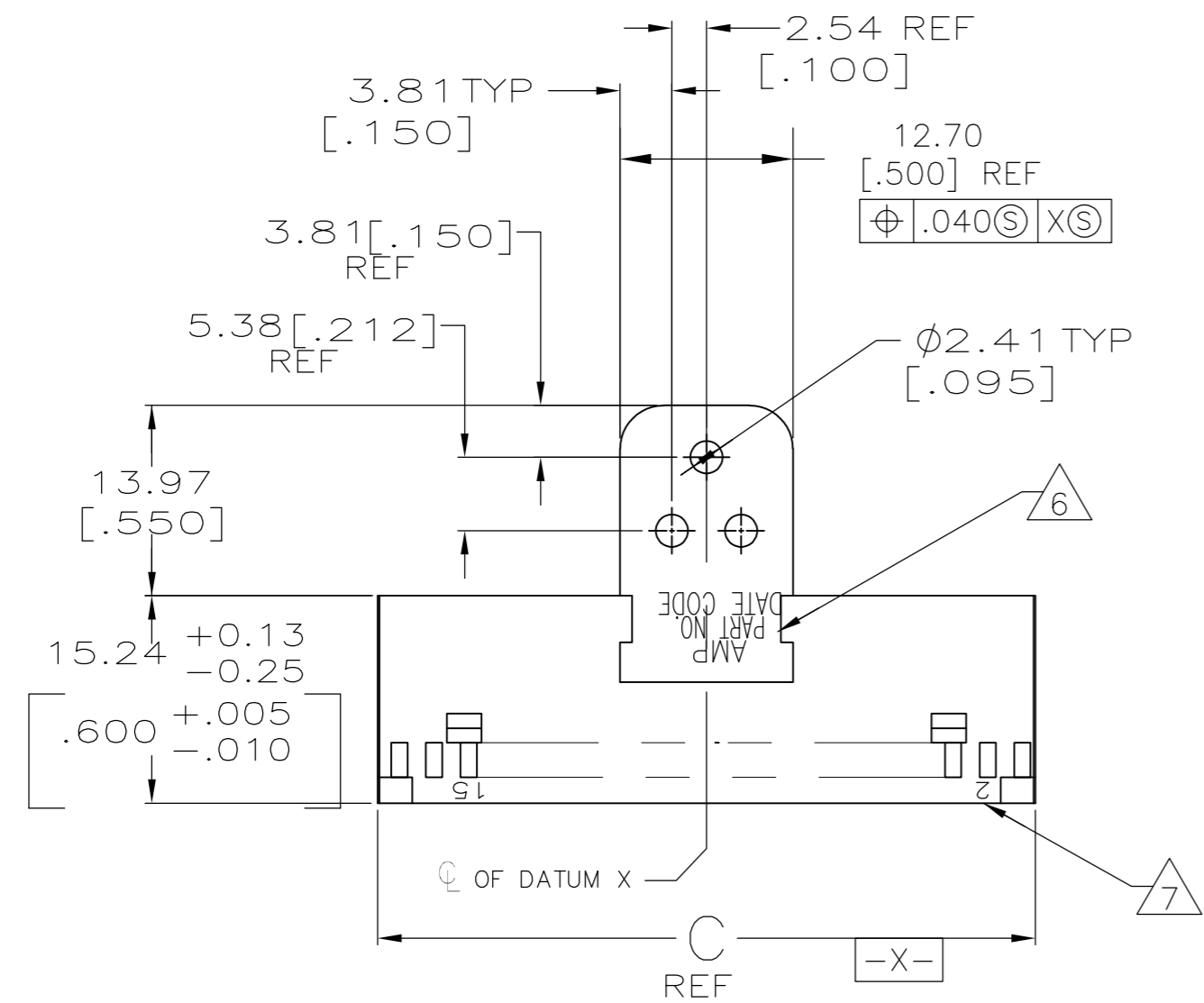
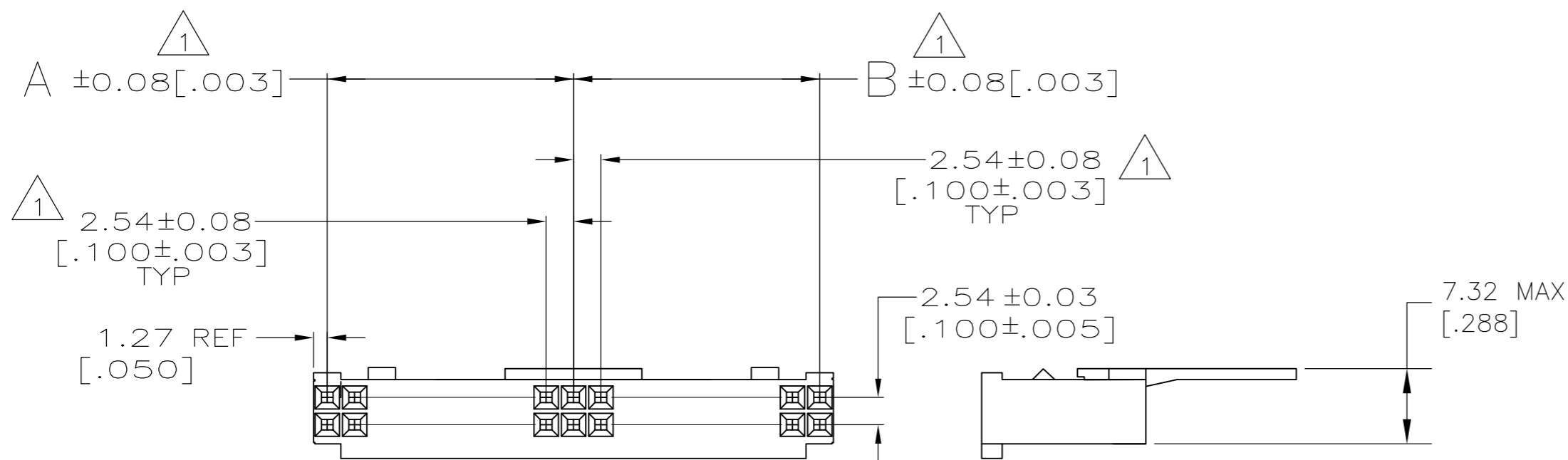


THIS DRAWING IS UNPUBLISHED. RELEASED FOR PUBLICATION
 © COPYRIGHT BY TYCO ELECTRONICS CORPORATION. ALL RIGHTS RESERVED.

LOC		DIST		REVISIONS			
P	LTR	DESCRIPTION		DATE	DWN	APVD	
J1		REVISED PER ECO-08-020746		21AUG08	HMR	FD	



- 1 CAVITY LOCATION DIMENSIONS INCREASE IN INCREMENTS OF 2.54[.100], TOLERANCE NON-CUMULATIVE.
- 2 USE EXTRACTION TOOL 91052-1 TO REMOVE RECEPTACLE CONTACTS.
- 3 THIS HOUSING IS COMPATIBLE WITH MOD II SHROUDED HEADERS.
- 4 HOUSING WILL ACCOMODATE ALL MOD IV, IV.5 AND MOD V CONTACTS.
- 5 OBSOLETE PART NUMBER.
- 6 "AMP", PART NO., AND DATE CODE, MARKED (WHITE) AS SHOWN 1.58±0.38[.062±.015] HIGH CHARACTERS
- 7 1.17±0.38[.046±.015] HIGH CHARACTERS MARKED (WHITE) SECOND AND EVERY FIFTH CAVITY AS SHOWN.



NONE	22.86 [.900]	10.16 [.400]	10.16 [.400]	18	5 1-87922-0
NONE	20.32 [.800]	7.62 [.300]	10.16 [.400]	16	5 87922-9
NONE	17.78 [.700]	7.62 [.300]	7.62 [.300]	14	5 87922-8
NONE	15.24 [.600]	5.08 [.200]	7.62 [.300]	12	5 87922-7
NONE	12.70 [.500]	5.08 [.200]	5.08 [.200]	10	5 87922-6
ALL	22.86 [.900]	10.16 [.400]	10.16 [.400]	18	87922-5
ALL	20.32 [.800]	7.62 [.300]	10.16 [.400]	16	87922-4
ALL	17.78 [.700]	7.62 [.300]	7.62 [.300]	14	87922-3
ALL	15.24 [.600]	5.08 [.200]	7.62 [.300]	12	87922-2
ALL	12.70 [.500]	5.08 [.200]	5.08 [.200]	10	87922-1
MARKING	C	B	A	NO OF POSN	PART NUMBER

THIS DRAWING IS A CONTROLLED DOCUMENT.

DWN E. BRANDBERG 6-10-94	Tyco Electronics Corporation Harrisburg, PA 17105-3608	
CHK P. SREMCICH 6-10-94		
APVD -	NAME	
PRODUCT SPEC -	HOUSING ASSY, MOD IV DBL ROW, 2.54[.100] W/ STRAIN RELIEF	
APPLICATION SPEC -	SIZE CAGE CODE DRAWING NO RESTRICTED TO	
MATERIAL MOLDED PARTS: -	WEIGHT -	A2 00779 C=87922
CUSTOMER DRAWING		SCALE 2:1 SHEET 1 OF 1 REV J1